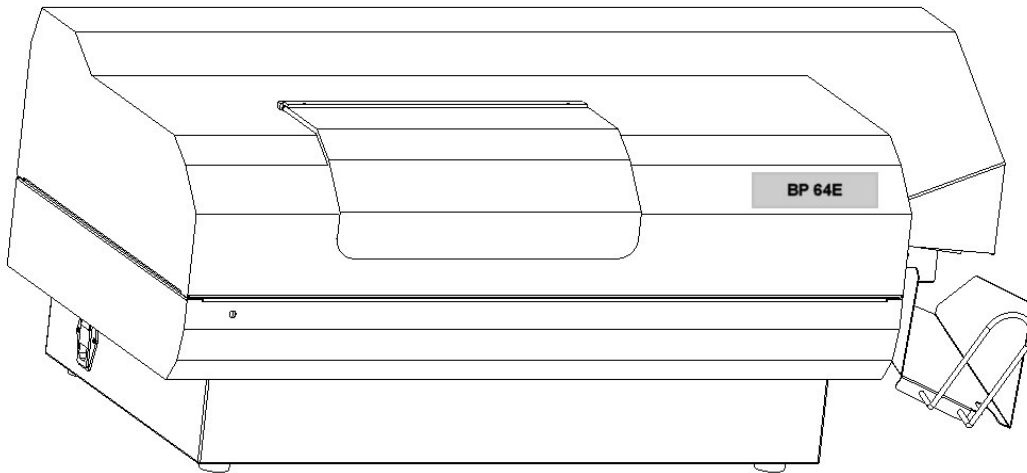
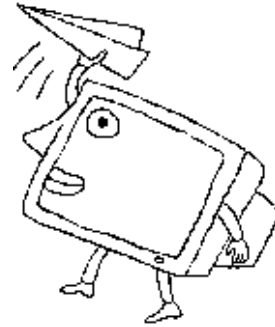


ALL prices in Norwegian Kroner : NOK  
Delivered Ex.Work Factory Tønsberg, Noway

# Spare Part List

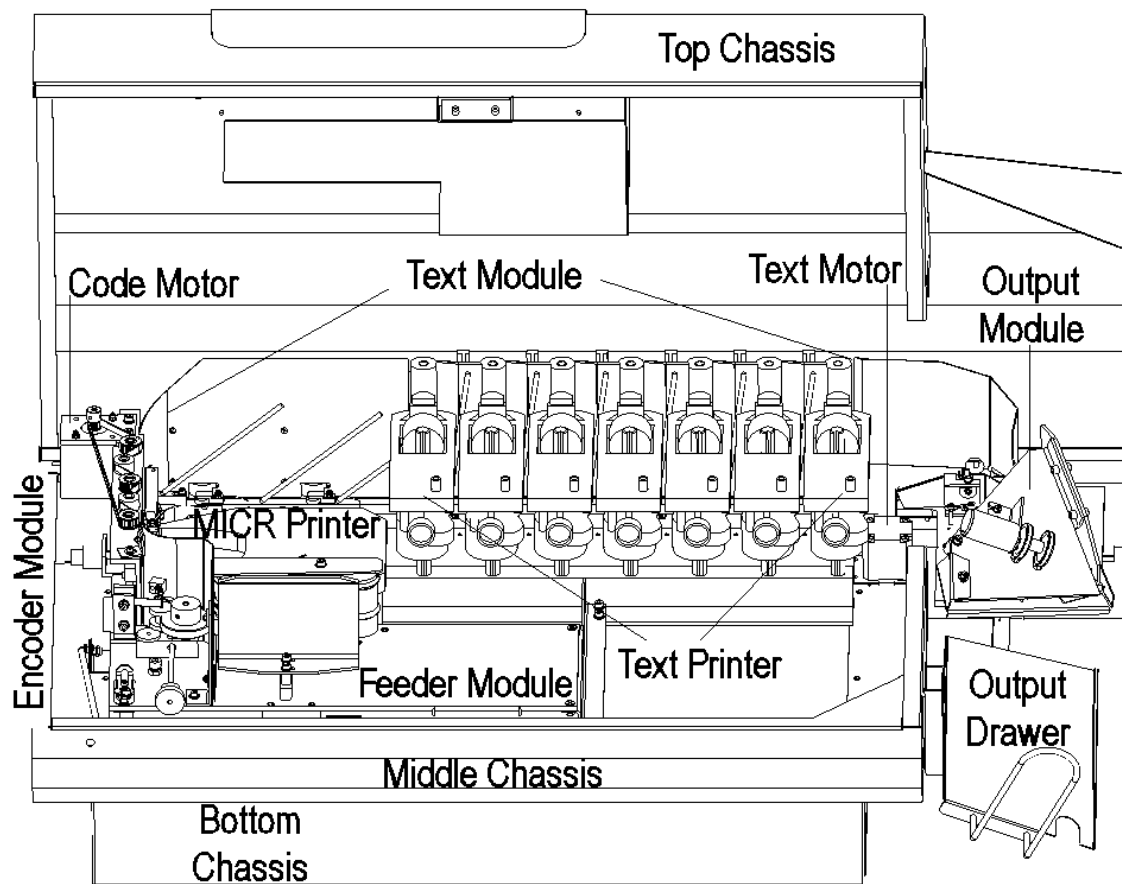
## BP 64E



ALL prices in Norwegian Kroner : NOK  
Delivered Ex.Work Factory Tønsberg, Noway

## Contents.

1	Feeder Module	405700
2	Encoder Module	405702
3	MICR Printer	405703
4	Text Module	405701
5	Text printer	405704
6	Output Module	405707
7	Complete Mechanic	405705
8	Output Drawer	405706
9	Bottom Chassis	305511
10	Top Chassis	305013
11	Cables	305300
12	Electronic Board Pc 408, 413, 414, 415	

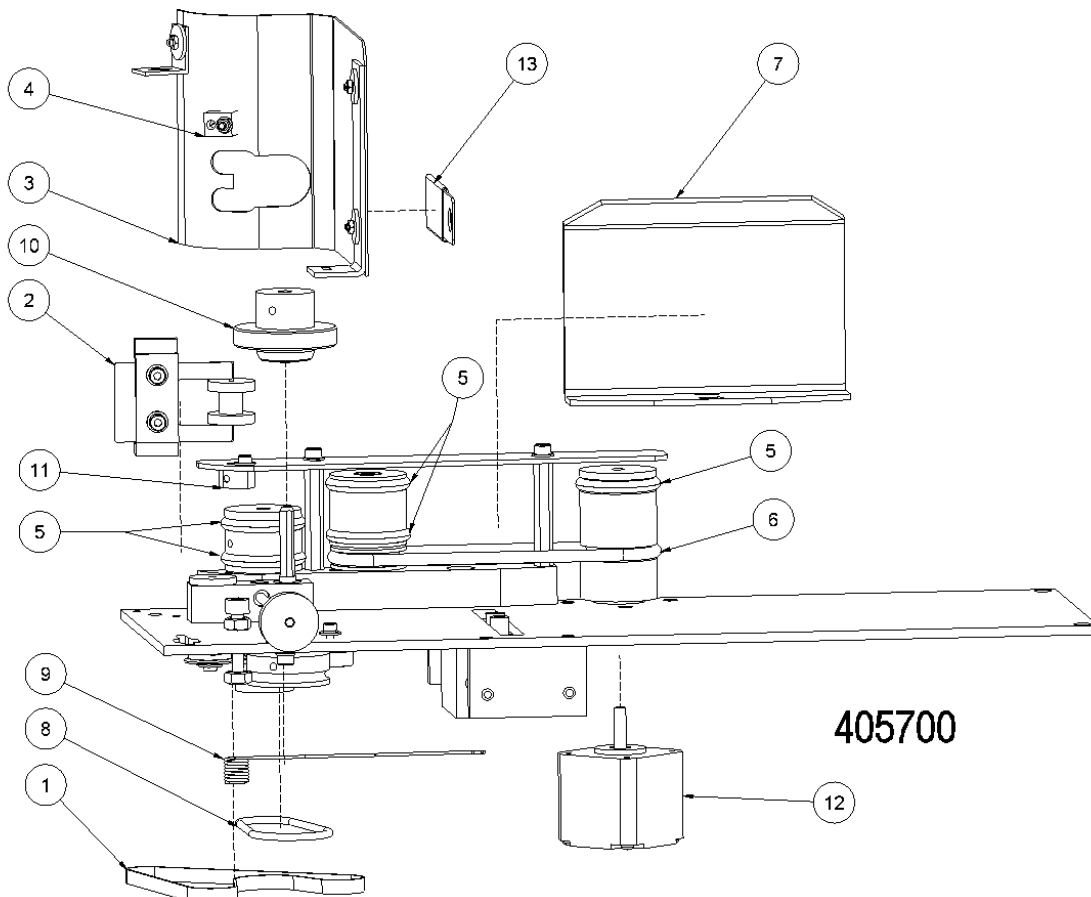


ALL prices in Norwegian Kroner : NOK  
 Delivered Ex.Work Factory Tønsberg, Noway

## 1. Feeder Module 405700

### Recommended

Parts	Item.No	Part.No	Description	Price
Yes	1	T 2,5*317,5	Tooth Belt	
	2	405510	Gate Pressure Roller	
	3	305001	Feed cover	
	4	405312	Feed Sensor Receiver	
Yes	5	10647	O-Ring S1820 25*5	
Yes	6	10715	O-Ring 88,27*5,33	
	7	305003	Document Feeder Plate	
Yes	8	40873536	O-Ring 40,87*3,53	
	9	405043	Spring	
	10	302015	Separation Wheel	
	11	405311	Feed Sensor Transmitter	
	12	405309	Feeder Motor	
	13	405533	Paper Stopper	

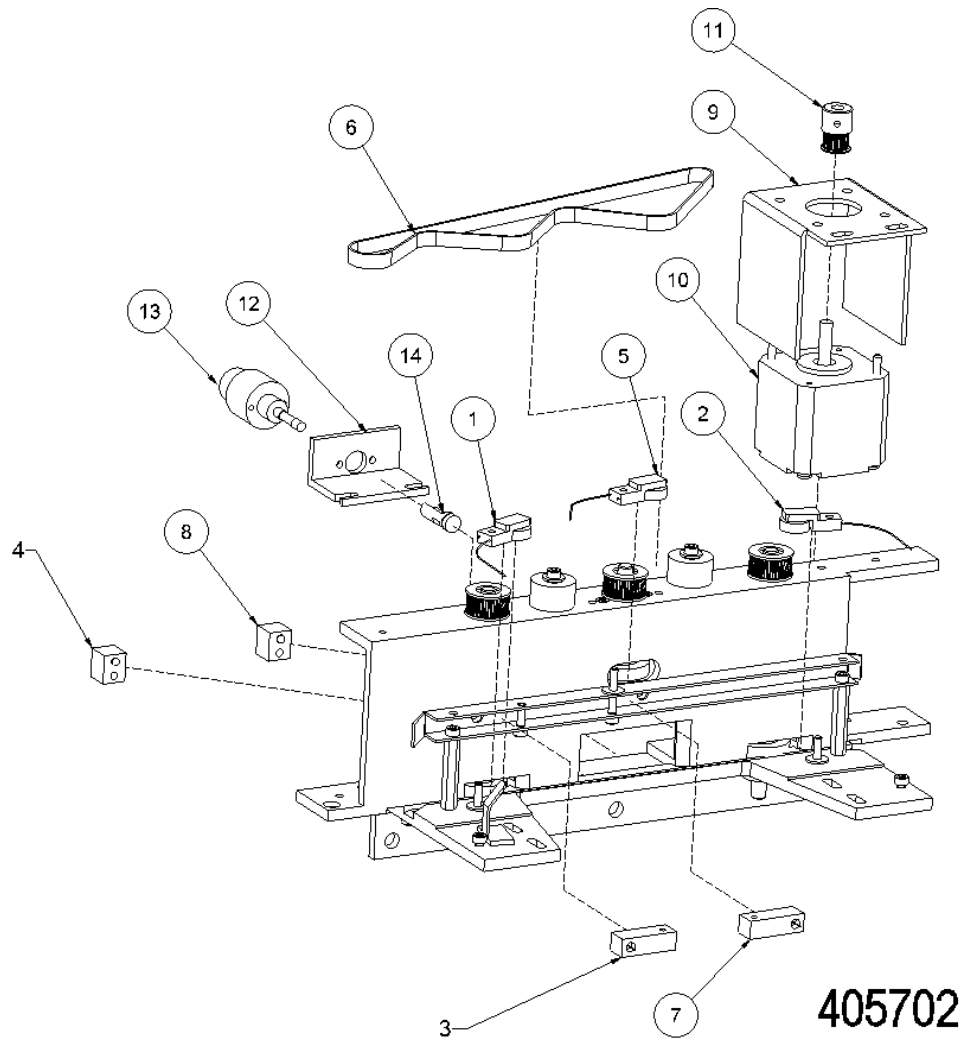


ALL prices in Norwegian Kroner : NOK  
 Delivered Ex.Work Factory Tønsberg, Noway

## 2. Encoder Module 405702

### Recommended

Parts	Item.No	Part.No	Description	Price
Yes	1	405047	Pressure wheel Left	
Yes	2	405048	Pressure wheel Right	
	3	405313	Double Detector Trans.	
	4	405314	Double Detector Receiver.	
Yes	5	405046	Pressure wheel Middle	
Yes	6	420	Tooth Belt T 2,5*420	
	7	405315	Encoder Sensor Trans.	
	8	405316	Encoder Sensor Receiver.	
	9	405024 A	Motor Bracket	
	10	405307 A	Stepper Motor	
	11	405105 A	Tooth Wheel	
	12	405106	Hammer Bracket	
	13	405514	Hammer solenoid	
Yes	14	012A0064	Hammer Cap	



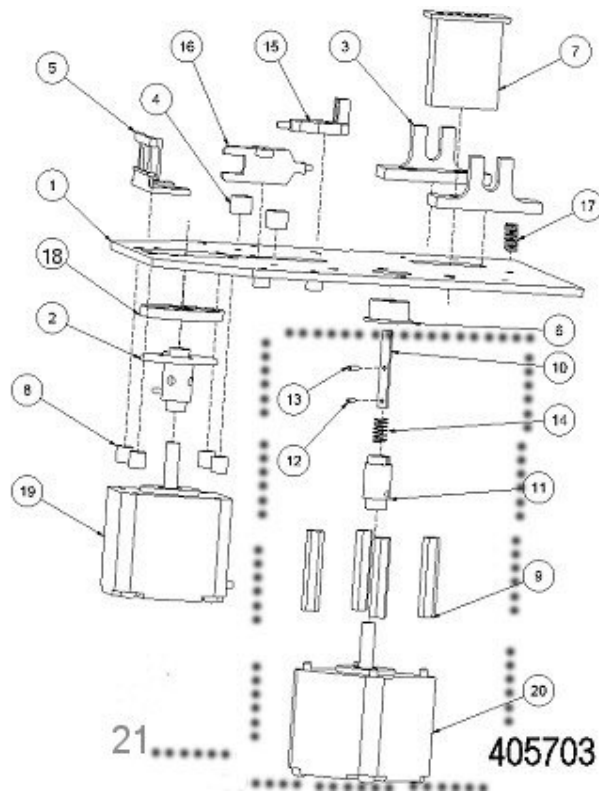
405702

ALL prices in Norwegian Kroner : NOK  
 Delivered Ex.Work Factory Tønsberg, Noway

### 3. MICR Printer 405703

#### Recommended

Parts	Item.No	Part.No	Description	Price
	1	404359	Main Plate	
	2	405543	Font Wheel Bracket	
	3	404375	MICR Clips	
	4	404377	Spacer	
	5	404378	Ribbon Guide	
	6	405051	Steering Cage	
	7	405513	Counter	
	8	36	Spacer	
	9	30M3	Spacer	
	10	405050	Drive Pin	
	11	405049	Drive Pin housing	
	12	8752 - 154	Spring Pin	
	13	8752 - 156	Spring Pin	
	14	410	Spring	
	15	405303	Sensor	
	16	405302	Sensor	
	17	5840	Spring	
Yes	18	184020002	E13B Font Wheel	
	19	405300	Font Wheel Motor	
	20	405301	Ribbon Motor	
	21	405501	Ribbon Motor Complete	

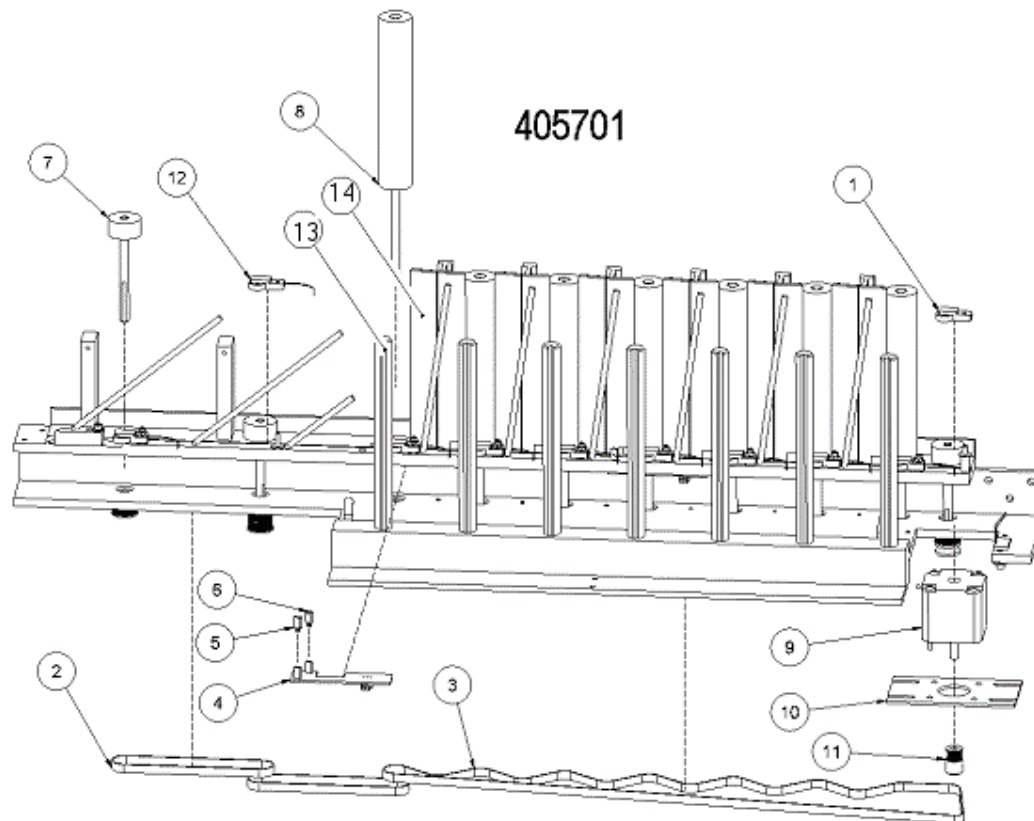


ALL prices in Norwegian Kroner : NOK  
 Delivered Ex.Work Factory Tønsberg, Noway

## 4. Text Module 405701

### Recommended

Parts	Item.No	Part.No	Description	Price
	1	404054 A	Pressure Wheel	
Yes	2	245	Tooth Belt T2,5*245	
Yes	3	950	Tooth Belt T2,5*950	
	4	405338	Sensor Board	
	5	OP 550	Sensor Receiver	
	6	OP 140	Sonsor Transmitter	
	7	405028	Feed wheel	
	8	405055	Print Platten	
	9	405308	Text Stepper Motor	
	10	405029	Motor Bracket	
	11	405105	Tooth Wheel Z13	
Yes	12	405052	Pressure Wheel	
	13	404181	Mounting Pillar	
	14	403098	Document Guide	

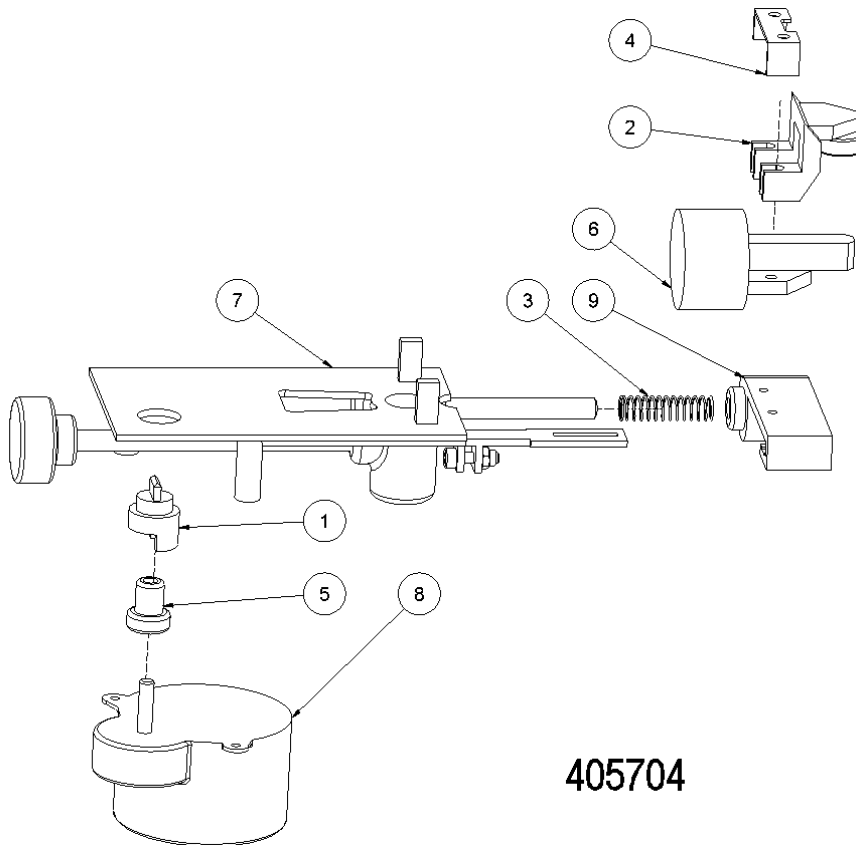


ALL prices in Norwegian Kroner : NOK  
Delivered Ex.Work Factory Tønsberg, Noway

## 5. Text Printer 405704

### Recommended

Parts	Item.No	Part.No	Description	Price
	1	403049	Ribbon Carrier	
	2	403051	Wheel Support + 624ZZ	
	3	403053	Spring	
	4	403054	Clamp	
	5	403328	Connection Link	
Yes	6	500-M31	Print Head	
	7	302003	Printhead Bracket	
	8	10B4D08	Ribbon Motor	
	9	405544	Print head Support	

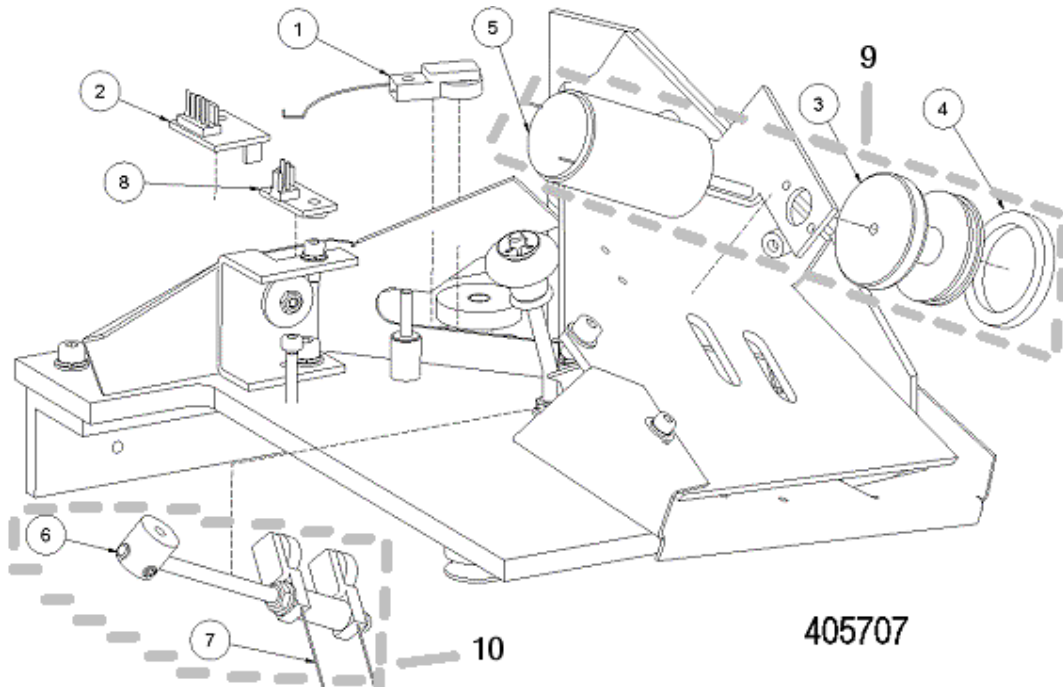


ALL prices in Norwegian Kroner : NOK  
Delivered Ex.Work Factory Tønsberg, Noway

## 6. Output Module 405707

### Recommended

Parts	Item.No	Part.No	Description	Price
Yes	1	403783	Pressure Wheel	
	2	405336	Sensor Board Receiver	
	3	405104	Output Wheel	
	4	2399353	X-Ring	
	5	405512	Output Motor	
	6	405525	Pressure wheel Assy.	
	7	403731	Pressure wheel	
	8	405335	Sensor Board Transmitter	
	9	405524A	Output Motor Complete	
	10	405525A	Pressure wheel Assy.Compl	



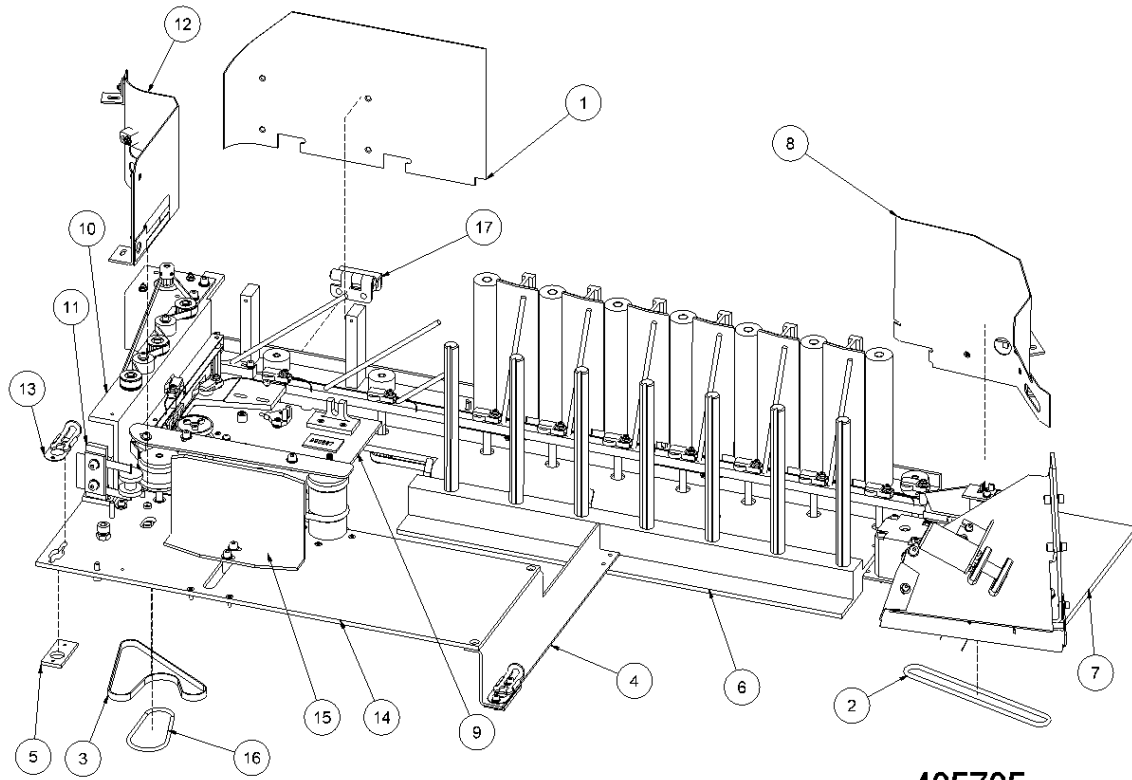
405707

ALL prices in Norwegian Kroner : NOK  
 Delivered Ex.Work Factory Tønsberg, Noway

## 7. Complete Mechanic 405705

### Recommended

Parts	Item.No	Part.No	Description	Price
	1	305007 A	Intermediate Lid	
Yes	2	O-ring	O-Ring 90*3	
Yes	3	T 2,5*317,5	Tooth Belt	
	4	405067	Intermediate Bracket	
	5	405138	Lock Bracket	
	6	405517	Text Module	On Request
	7	405522	Output Module	On Request
	8	405523	Output Lid	
	9	405516	MICR Printer	On Request
	10	405521	Encoder Module	On Request
	11	405510	Gate Pressure Roller	
	12	405531	Feed Cover	On Request
	13	1351500	Lock	
	14	405509	Feeder Module	On Request
	15	305003	Document Feeder Plate	
Yes	16	40873536	O-Ring 40,87*3,53	
	17	405535	Hinge	



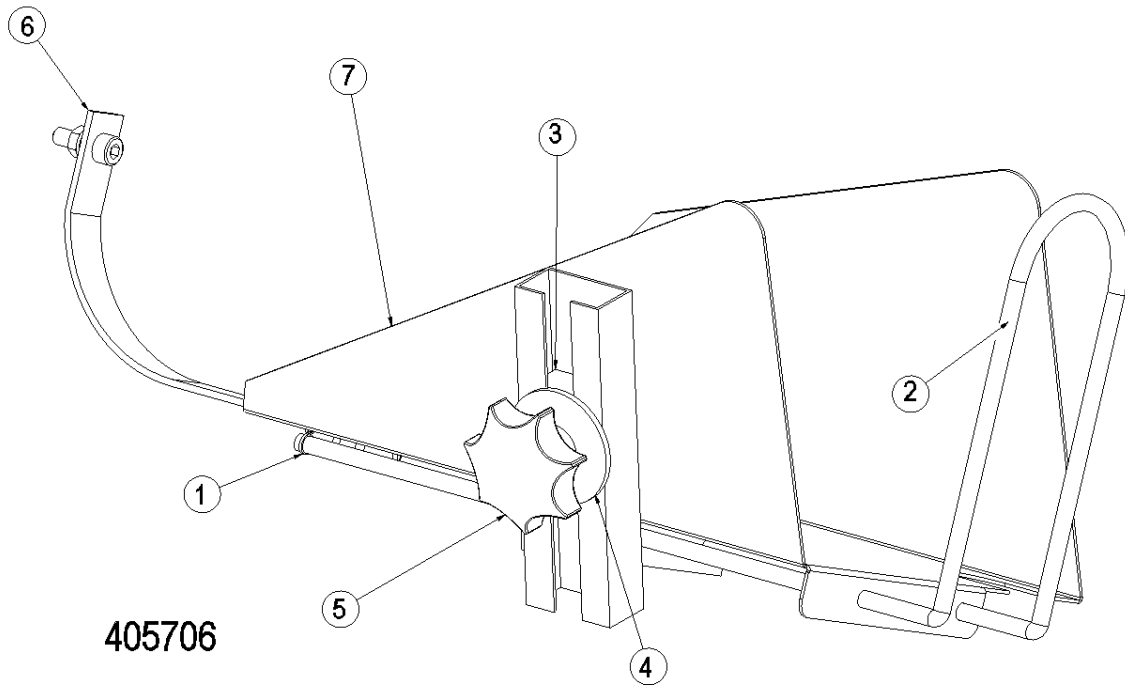
405705

ALL prices in Norwegian Kroner : NOK  
Delivered Ex.Work Factory Tønsberg, Noway

## 8. Output Drawer 405706

### Recommended

Parts	Item.No	Part.No	Description	Price
	1		Seal ring	
	2	405074	Adjustable pull-handle	
	3	405068	Spacer	
	4	Ø8Ø40	Rubber rivets	
	5	51571040	Adjustment wheel M8	
	6	CPE 16-150S	Earth Connection	
	7	405072	Output Lid	

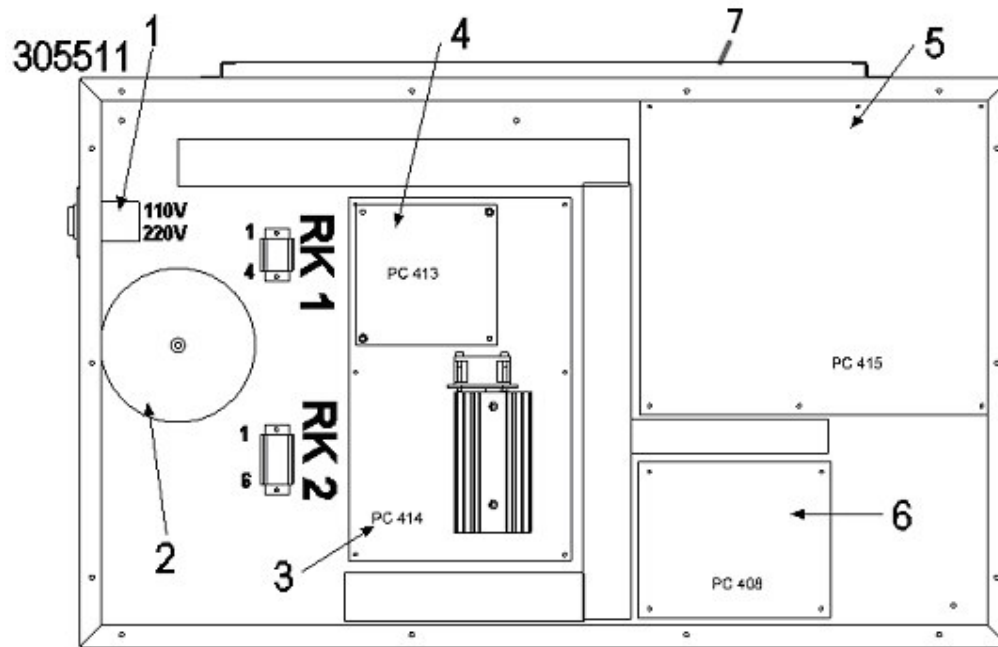


ALL prices in Norwegian Kroner : NOK  
 Delivered Ex.Work Factory Tønsberg, Noway

## 9. Bottom Chassis 305511

### Recommended

Parts	Item.No	Part.No	Description	Price
	1		Power-line filter	
	2	405330	Transformer	
Yes	3	100212	Power Interface Board PC 414	
Yes	4	100211	CPU Board PC 413	
Yes	5	1002113	Text Printer Board PC 415	
Yes	6		MICR Board PC 408	
	7	405129	Air Filter	

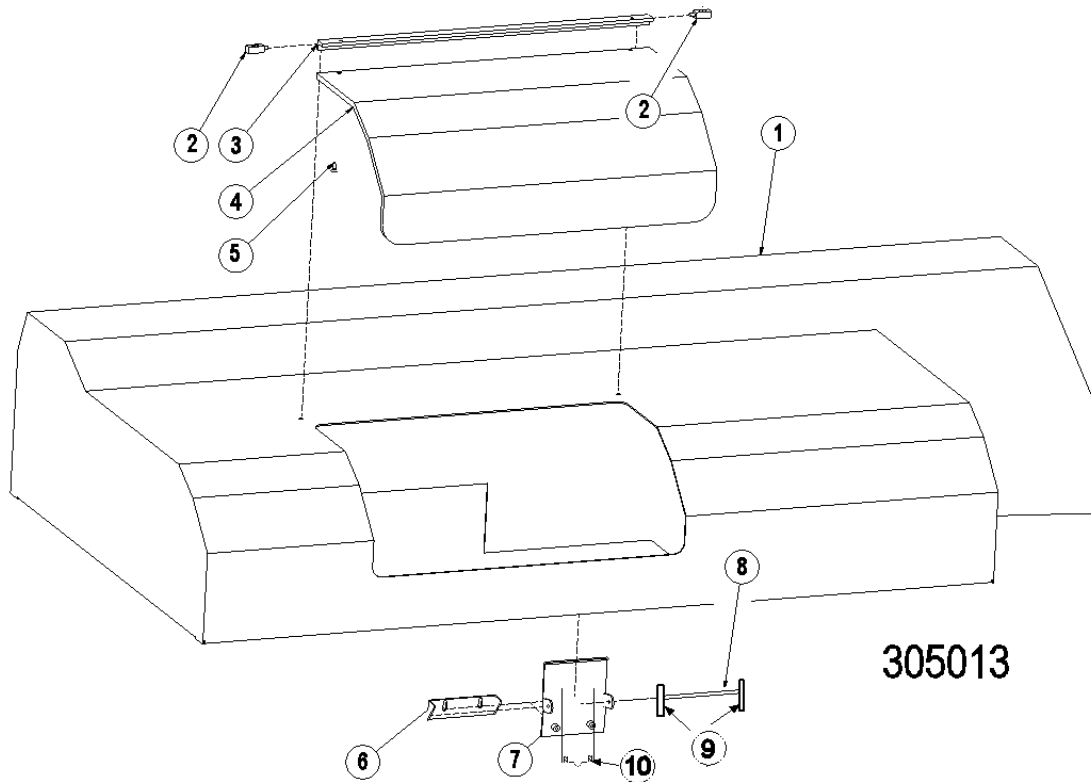


ALL prices in Norwegian Kroner : NOK  
Delivered Ex.Work Factory Tønsberg, Noway

## 10. Top Chassis 305013

### Recommended

Parts	Item.No	Part.No	Description	Price
	1-10	305013	Main Top Cover Complete	
	2		Hinge Bracket	
	3		Hinge	
	4	305118	Feed Door Cover	
	5		Nut	
	6	405082C	Handel Bracket	
	7	405081C	Handle	
	8	405101	Handle Pin	
	9	8558	Spring	
	10	484013	Pin locker	

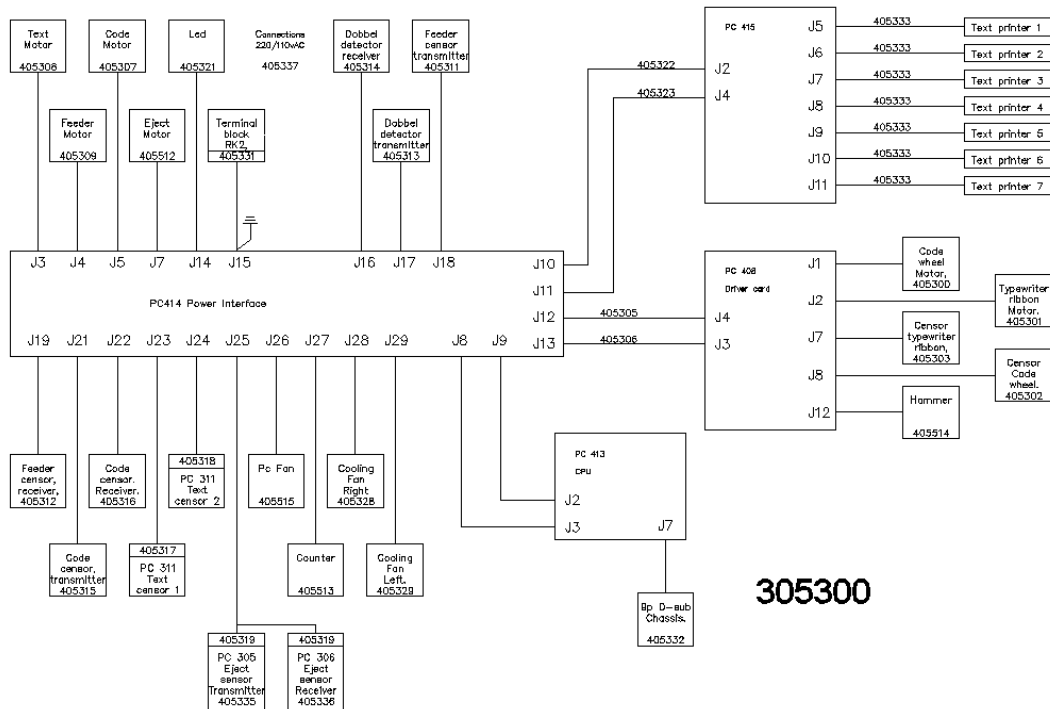


ALL prices in Norwegian Kroner : NOK  
 Delivered Ex.Work Factory Tønsberg, Noway

## 11. Cables 305300

### Recommended

Parts	Item.No	Part.No	Description	Price
	All	Cables	3053300	On Request



## 12. Electronic Board

Refer to 9, Bottom Chassis 305511